

A

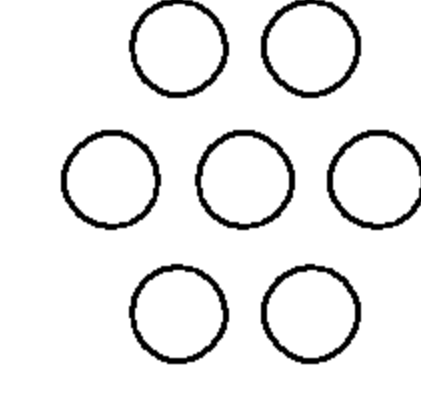
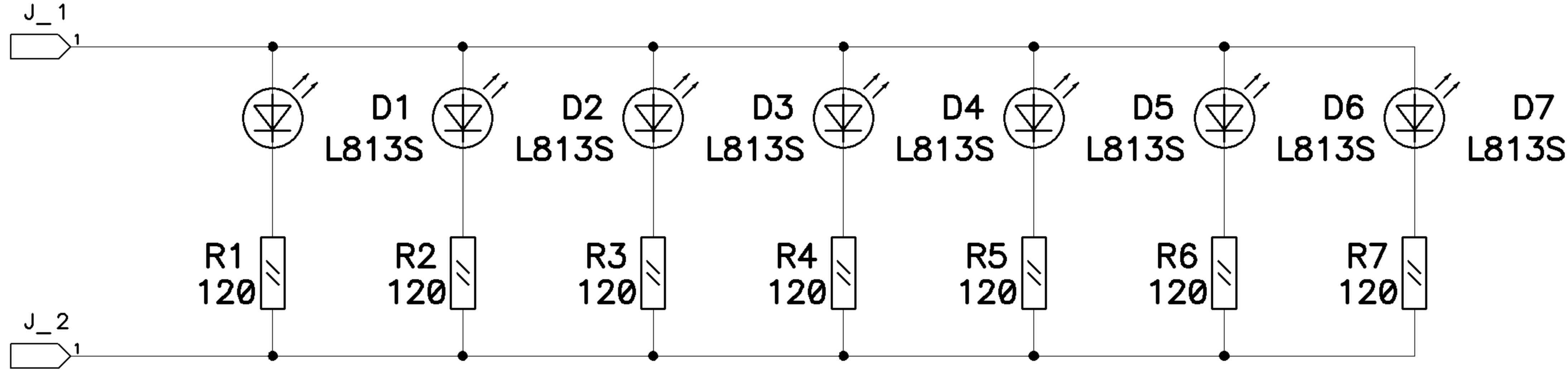
B

C

D

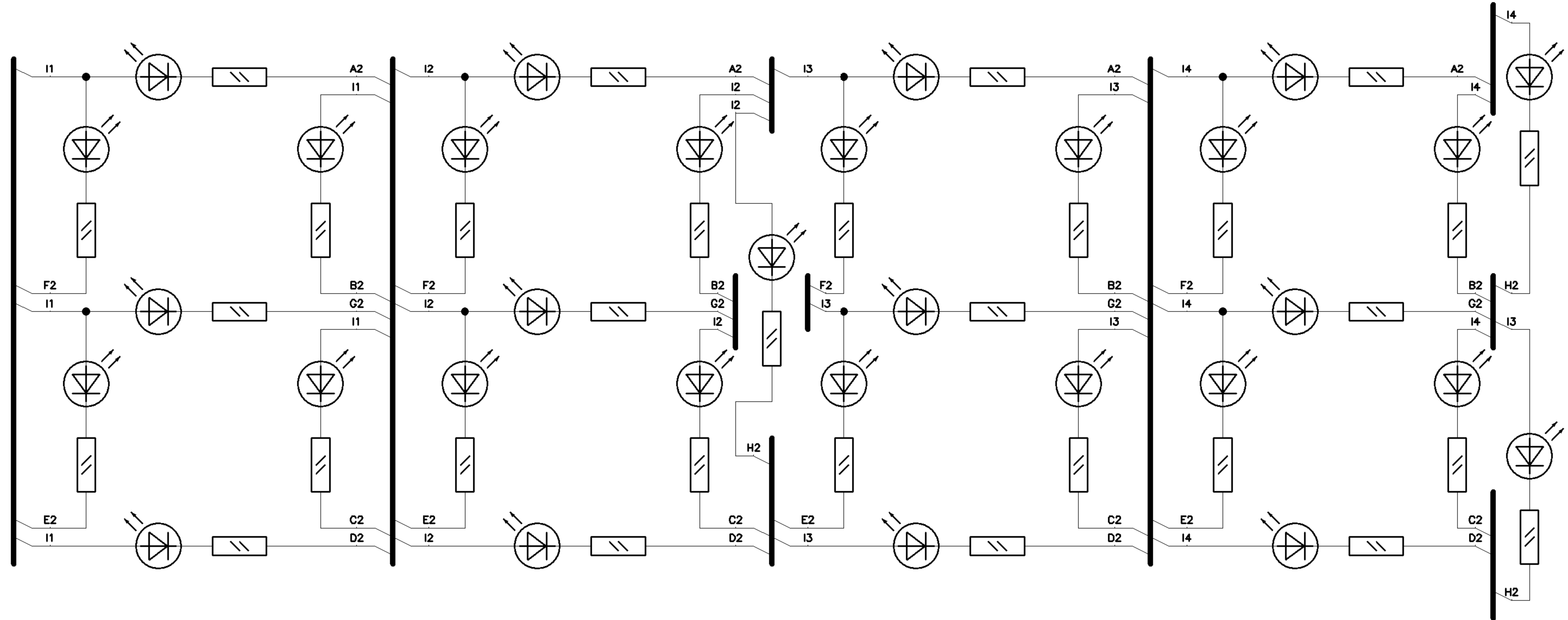
1

1



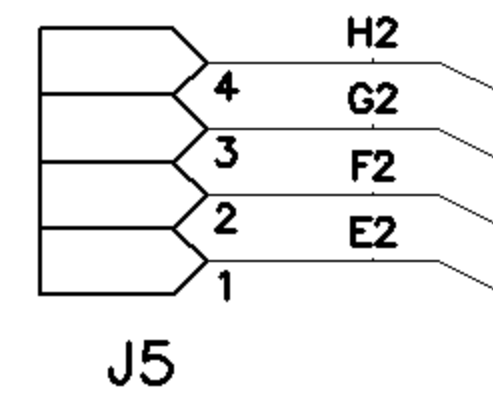
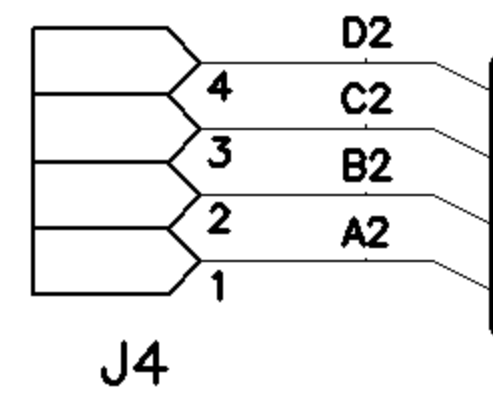
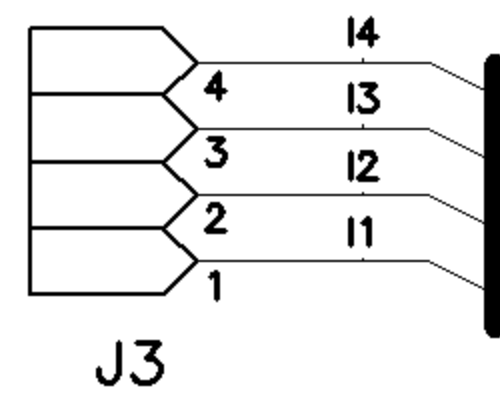
2

2



3

3



4

4

Title Tablo		
Size A	Number	Rev
Date	Drawn by Ryaskin I.G.	
Filename	Sheet 1 of 1	

A

B

C

D